

PRODUCT SPECIFICATION

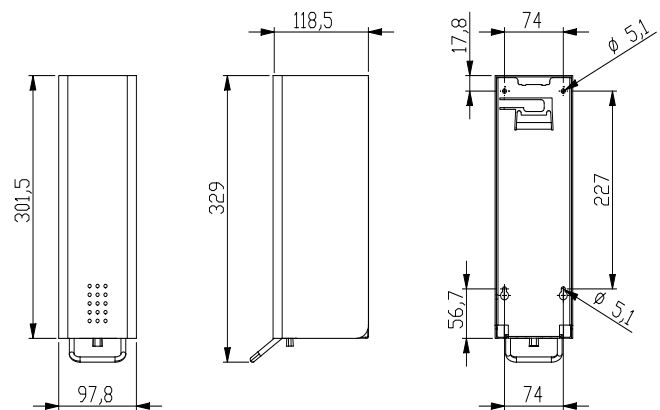
foam-soap dispenser ONE dark passion DP-140-FO

specification text

Foam-soap dispenser PROOX ONE dark passion made from stainless steel

dimensions: 100 x 300 x 120 mm
cover 3mm thickness

Foam-soap dispenser made out from stainless steel, black powder coated. Frontcover 1,5 mm. For wall mounting. Perforated fill level indicator with 4mm drillings. Soap dispenser lever made out of stainless steel. High quality pump with retraction function. Filling bin with lid. 1.4 litres capacity. The unit can be replaced for cleaning purpose. Lock not visible. Includes stainless steel screws and plugs.



further product recommendations



paper towel dispenser
DP-100

waste bin
DP-200

double toilet roll holder
DP-300

toilet brush holder
DP-500

tissue dispenser
DP-390