

# PRODUCT SPECIFICATION

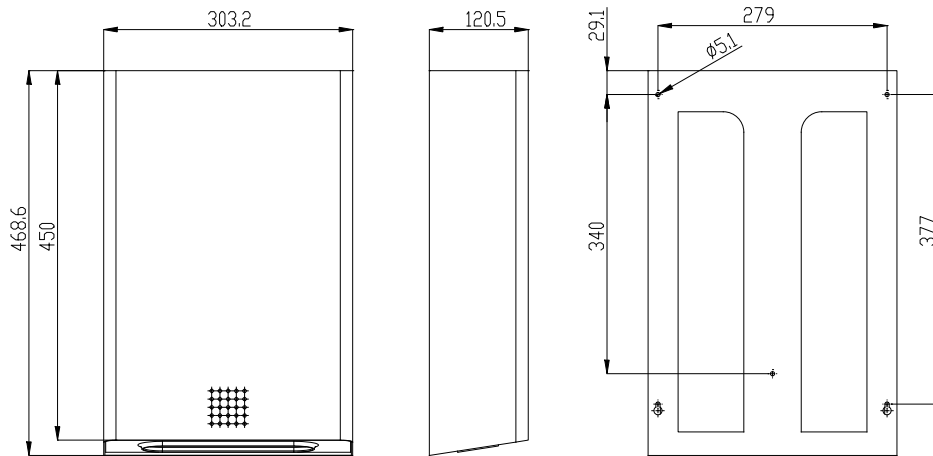
## paper towel dispenser ONE dark passion DP-103

### specification text

PROOX paper towel dispenser ONE dark passion, from stainless steel.

dimensions: 300 x 450 x 120,5 mm.

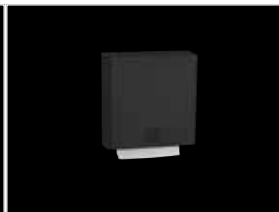
Paper towel dispenser for wall mounting. Made from stainless steel, coated in black. Cover 1.5 mm thickness. Perforated fill level indicator with 4mm drillings. Lock not visible. Integrated Teflon-coated soft-slide box for easy paper dispensing. Holds approx. 800 accordion-fold paper towels. Suitable for paper towels with a length of approx. 220-250 mm and a folded width of approx. 95-120 mm. Includes stainless steel screws and plugs.



### further product recommendations



paper towel dispenser  
spprox. 550 sheet - DP-101



paper towel dispenser  
spprox. 800 sheet - DP-100



waste bin approx. 14L  
DP-230



waste bin approx. 31L  
DP-200



waste bin approx. 60L  
DP-245