

PRODUCT SPECIFICATION

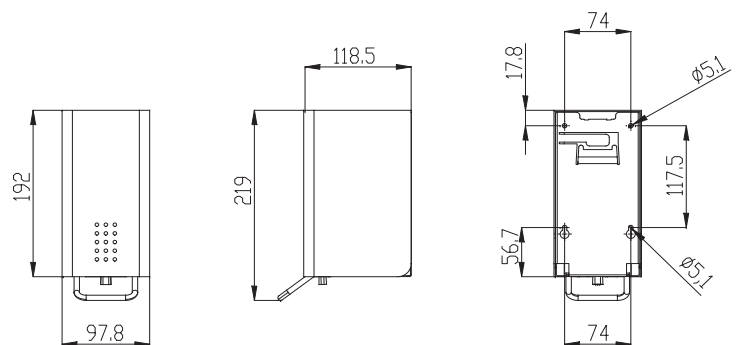
Foam soap dispenser 0,5 l ONE dark passion DP-141-FO

specification text

Foam soap dispenser 0.5 l, 98x74x119 mm,
PROOX ONE dark passion, made from stainless steel
with black powdercoating

dimensions: 98 x 74 x 119 mm
cover 3mm thickness

Foam soap dispenser PROOX ONE dark passion, made out of stainless steel with black powdercoating. Surface with fine brushed structure. Cover 1.5 mm thickness. For wall mounting. Perforated fill level indicator with 4mm drillings. Soap dispenser lever made out of stainless steel. High quality pump with retraction function. Filling bin with lid. 0.5 litres capacity. The unit can be replaced for cleaning purpose. Lock not visible. Includes stainless steel screws and plugs.



further product recommendations

paper towel dispenser DP-100	waste bin DP-200	double toilet roll holder DP-300	toilet brush holder DP-500	tissue dispenser DP-390